

HC Gas Detector Transmitter PEK851



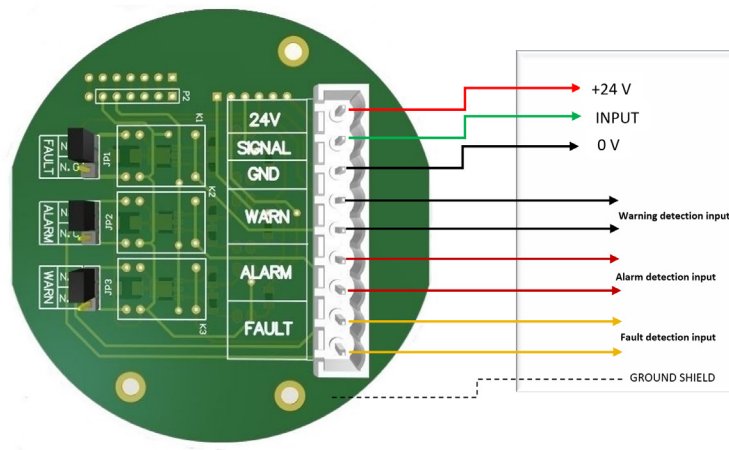
Device Features

- 4-20 mA output with 3wire technology
- Detectable Gases : Combustibles(LEL)
- Sensor model: Catalytic(Pellistor twine Beads)
- Measurement Range: 0- 100% LEL
- Response time : 3 seconds
- Repeatability: $\pm 1\%$ LEL
- Accuracy: $\pm 2\%$ LEL
- Operative life time: more than 3years
- Local LCD display
- Adjustable display via non-contact magnetic switch interface
- With alarm and fault relays to protect employees and the site from the hazards of flammable gas explosion
- Non_Volatile memory that can store calibration data when power is disconnected.

Technical Data

Use	3 wire, 4-20mA output fixed point detector with in-built alarm and fault relays for the protection of personnel and plant from flammable hazards. Incorporates a transmitter with local display and fully configurable via non-intrusive magnetic switch interface.
Sensor Information	
Sensor type	Catalytic
Detectable Gases	Hydrocarbons (Methane, Propane, Hydrogen...)
Measuring Range	0÷100% - L.E.L. (Low Explosion Limit)
Long term drift	< ± 1 L.E.L. / Month
Response time (T50)	3 s
Precision	± 2% L.E.L.
Operative life	> 3 years
Electrical	
Input Voltage Range	12 to 32VDC (24VDC nominal)
Max Power Consumption	Maximum power consumption is catalytic = 3.6W. Maximum inrush current = 150mA at 24VDC
Current Output	Sink or source
Relays	3 x 3A@120VAC (3A@12VDC). Selectable normally open or normally closed (switch) and energized/de-energized (programmable) Alarm relays default normally open/de-energized. Fault relay default normally open/energized
Construction	
Material	Housing: Epoxy painted aluminum alloy Sensor: 316 stainless steel
Weight (approx)	Aluminum Alloy LM25 : 4.5kg
Mounting	Integral mounting plate with 3 x mounting holes suitable for M8 bolts. Optional pipe mounting kit for horizontal or vertical pipe Ø1.5 to 3" (2" nominal)
Cable Entries	2 x M20 conduit entries. Suitable blanking plug supplied for use if only 1 entry used. Seal to maintain IP rating.
Environmental	
IP Rating	Pending (IP66 in accordance with EN60529:1992)
Temperature Range	Pending (-40°C to +65°C)
Ex Certification	Pending (ATEX Ex II 2 GD Ex d IIC Gb T6 (Ta -40°C to +65°C))

Electrical Connection



Pars Electronic Kish

Unit, No. 20, Qavam pour Alley, North
Sheikh Bahai St, Tehran, Iran

Tel: +9821-88613511
Fax: +9821-88602547
info@parsek.org
www.parsek.org

